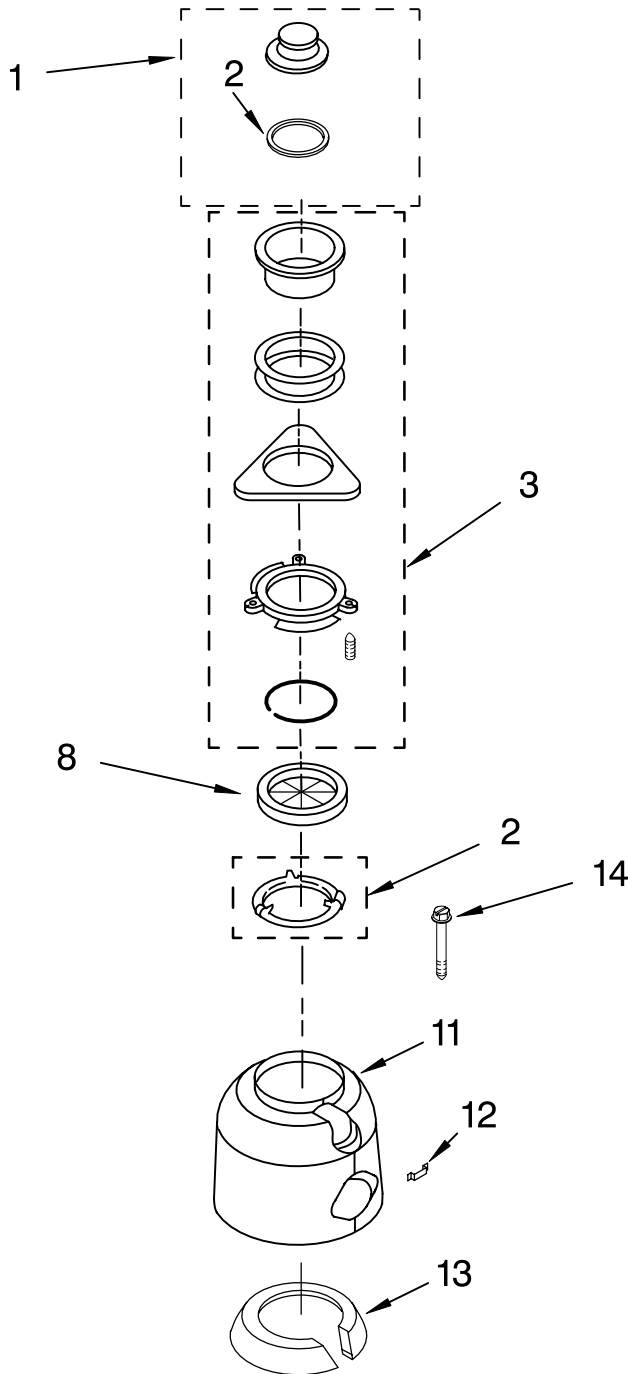




UPPER HOUSING AND FLANGE PARTS

DISPOSER

For Model: GC5000XE

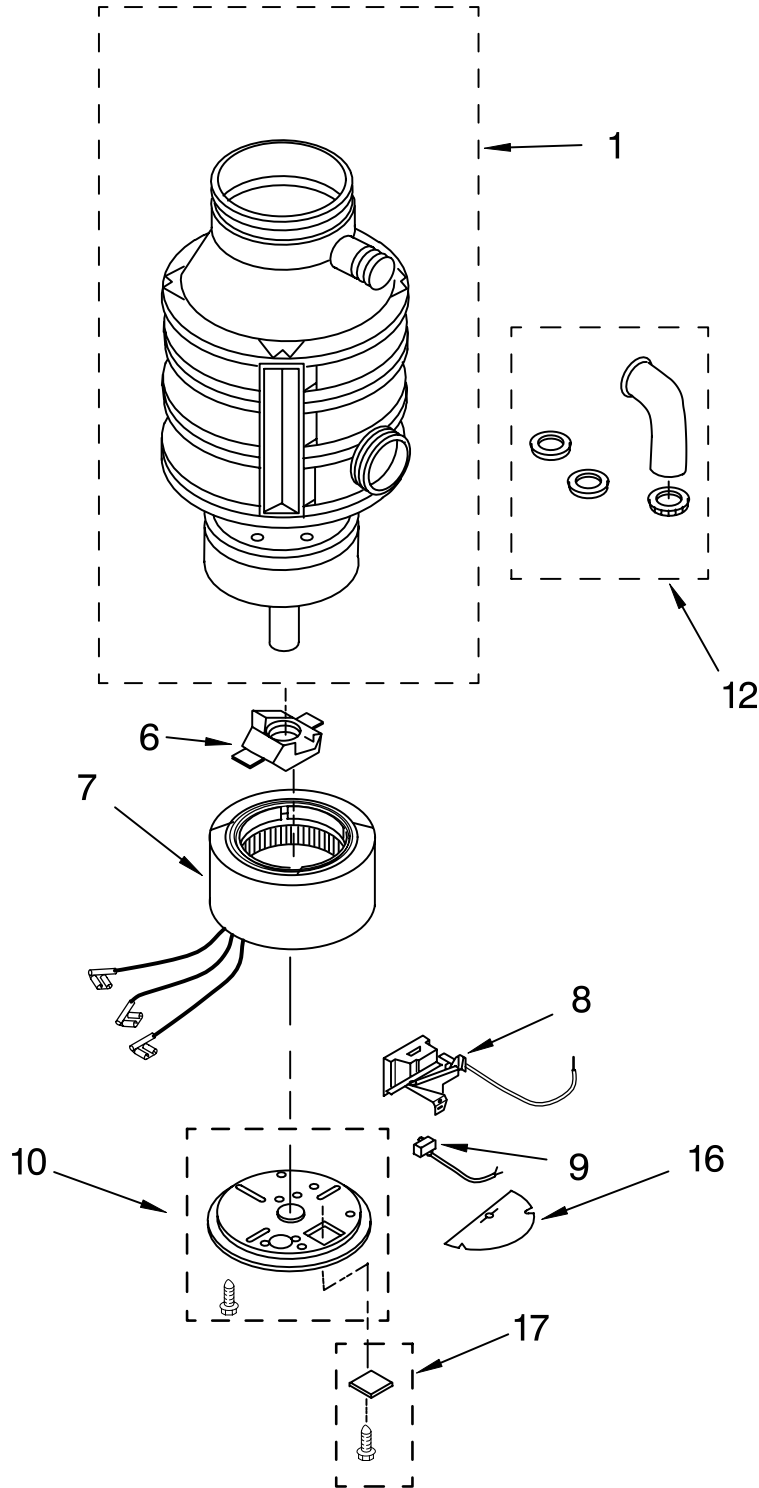


| Illus. No. | Part No. | DESCRIPTION |
|------------|----------|-------------------|
| 1 | 4211577 | Stopper Assembly |
| 2 | 4211333 | Gasket, Stopper |
| 3 | 8174335 | Mounting Assembly |
| 8 | 4211615 | Gasket, Mounting |
| 11 | 8174336 | Trim Shell |
| 12 | 4211339 | Clip |
| 13 | 4211649 | Insulation |
| 14 | 8174309 | Bolt, Thru |

FOR ORDERING INFORMATION REFER TO PARTS PRICE LIST

LOWER HOUSING AND MOTOR PARTS

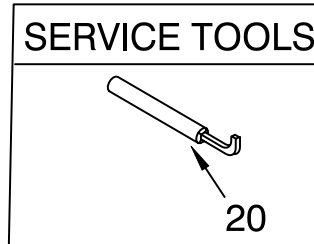
For Model: GC5000XE



| Illus. No. | Part No. | DESCRIPTION |
|------------|----------|----------------------------------|
| 1 | | Enclosure Assy (Not Serviceable) |
| 6 | 4211322 | Actuator Assembly, Centrifugal |
| 7 | 8174337 | Stator Assembly |
| 8 | 8174312 | Switch Assembly, Start |
| 9 | 8174334 | Overload, Protector |
| 10 | 4211647 | End Frame Assembly |
| 12 | 8174293 | Kit, Installation |
| 16 | 4211326 | Shield, Wire |
| 17 | 8174315 | Cover, Terminal |
| 20 | 8174310 | Wrench, Emergency |

Following Parts Not Illustrated

- LIT4211613 Guide, Use And Care
- LIT4211614 Instructions, Installation
- LIT8174338 ICU Booklet



FOR ORDERING INFORMATION REFER TO PARTS PRICE LIST